

The background features a stylized American flag with white stars on a grey field and white stripes on a grey field. Overlaid on this are several technical drawings of rectangular panels with various cutouts and lines, rendered in orange and grey.

**LOCKERS**™

**MANUFACTURING** any design. any material. any technology.

# *End Panels*

Whether you're building a locker setup with finished, or boxed ends, each end panel style serves a purpose in both form and function. With options designed to add strength, a sleek finish, or an unblemished profile, our end panels adapt to any locker configuration and aesthetic. Explore our options to find the perfect fit for your project, ensuring both durability and design align seamlessly.

## **KNOCK DOWN FINISHED END**

A knockdown finished end panel is a component attached onto the side of a the locker to cover any excess rivets and holes. This end panel serves as a completed end, providing an essential, clean look that completes the locker's overall appearance.

## **WELDED FINISHED END**

A welded finished end panel is a flat, durable steel sheet riveted to the side of a locker, adding a polished finish. This piece is securely affixed with four visible rivets. The finished end panel is designed to offer both functional strength and an added layer of refinement to exposed sides.

## **BOXED END**

The boxed end is a robust one-inch wide steel panel that adds a refined edge to lockers, free of any visible rivets or fasteners on its outer surface. Designed in a U-shaped profile, this end panel is attached from within the locker to create a smooth, uninterrupted finish along the sides and top. Its design hides any external hardware, creating a high-end, seamless look and providing added structural integrity.

\*\*All panel sizes are customizable to any specification. Double end panels will only have pilot holes on one side.

**CONTACT US**

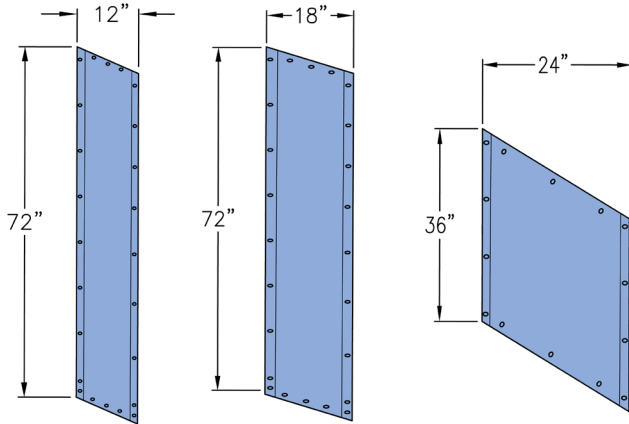


**662-338-4340**



**WWW.LOCKERSMFG.COM**

**KNOCK DOWN FINISHED END**



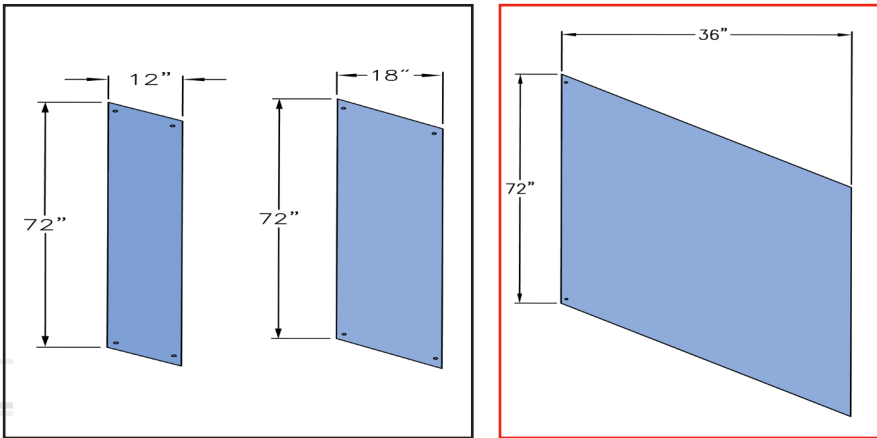
Single



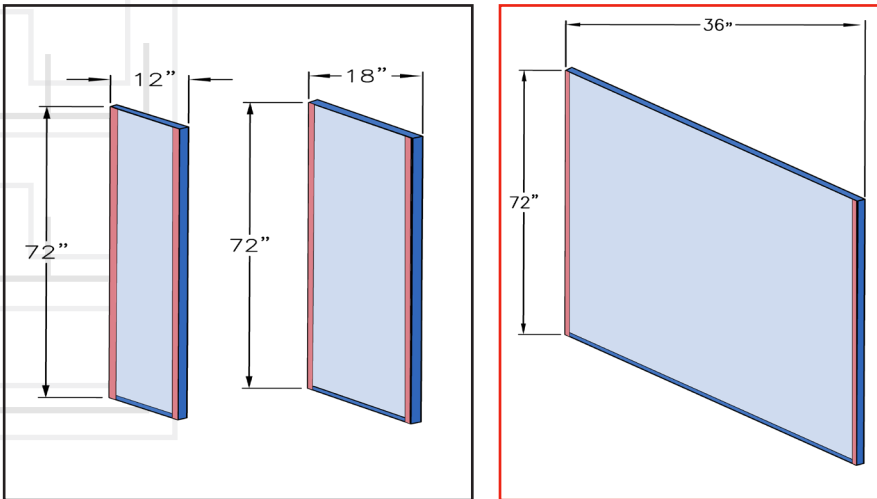
Double



**WELDED FINISHED END**



**BOXED END**



TOP VIEWPOINT