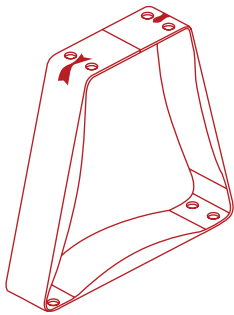


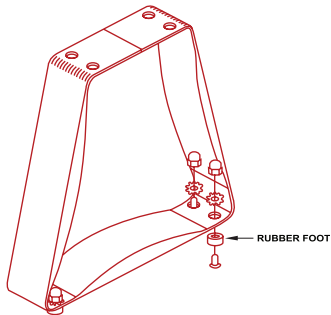
Elevating both comfort and organization, our locker pedestals seamlessly integrate into any floor plan. With high-quality painted or stainless steel options, our pedestals provide sturdy support for our premium hardwood maple benches, making them an essential addition to any locker room.

Select from two distinct pedestal styles: the robust Heavy Duty Pedestal or the sleek Stainless Steel Pedestal. For benches measuring 96" long or less, opt for two pedestals; for those exceeding 96" in



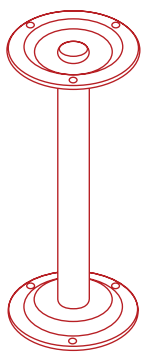
STAINLESS STEEL PEDESTAL

Featuring a 14" wide base, this pedestal offers versatility for freestanding use. Holes at the bottom enable optional floor anchoring or the attachment of non-skid bumpers (refer to the section below for details). Hardware is included for fastening to the bench top. *Stainless steel is typically not painted.



NON-SKID PEDESTAL KIT

Protect your floors with ease using rubber non-skid bumpers, designed to prevent damage. Each kit includes four non-marking rubber feet and the necessary fastening hardware. Ensure to order one kit per pedestal, exclusively for use with Stainless Steel Pedestals.



HEAVY DUTY PEDESTAL

Standing at a height of 16-1/4", this pedestal is constructed with a durable steel tube welded to top and bottom flanges, ensuring stability and strength. Hardware for securing to the bench is provided for your convenience, and floor anchoring is necessary for stability. Multiple pedestals are recommended per bench. Choose from all 24 available colors to complement your space effortlessly.

ADA OPTIONS

Benches that meet all ADA guidelines are AVAILABLE ADA BRACKETS DOUBLE REVERSED - contact a Lockers Manufacturing Representative for more information.