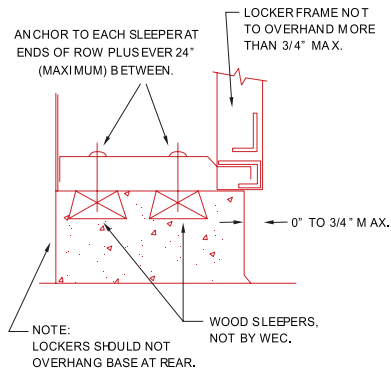
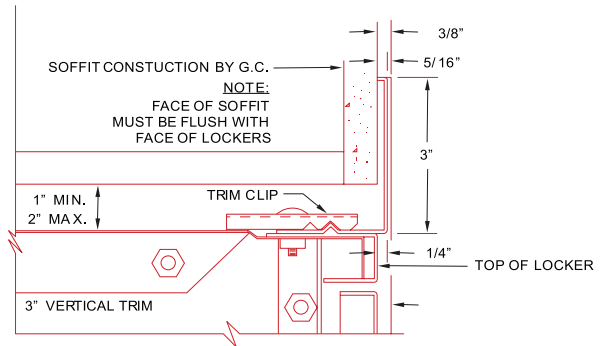


Recess Trim is 3" wide and bridges the gap between lockers and the wall and/or soffits when the lockers are recessed into a wall. Lockers must be anchored to base (base and wood to be completed by a general contractor.)

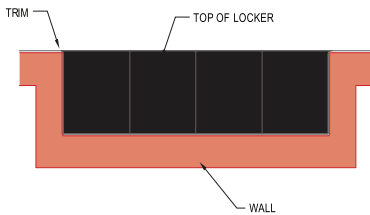
## SIDE VIEW OF BASE & ANCHORS



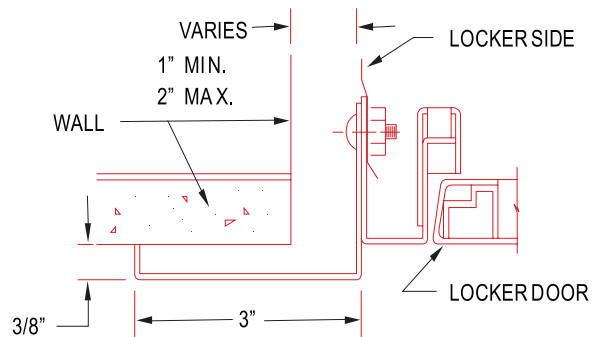
## SIDE VIEW OF TOP RECESSED TRIM



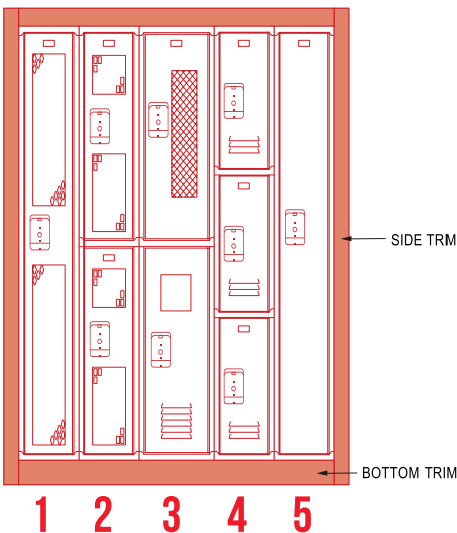
## TOP VIEW OF A RECESSED LOCKER GROUPING



## TOP VIEW OF 3" VERTICAL TRIM R.H.



## FRONT VIEW OF LOCKER WITH RECESSED TRIM



1. COMPETITIVE 1 - TIER WITH DIAMOND PERFORATIONS
2. DURABLE 2 - TIER WITH VISUAL PERFORATIONS
3. FIRE EXTINGUISHER / WASTE BIN
4. DURABLE 3 - TIER WITH LOUVERS
5. DURABLE PLUS 1 - TIER WITH SOLID DOORS